

PROTECT-A-MOUNT

PRODUCT INFO

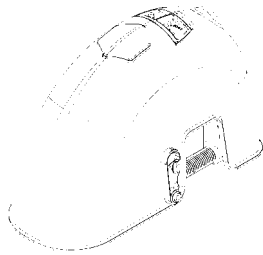


Protect-A-Mount

PROTECTION & MOUNTING SYSTEM

Description

Quickly and easily attaches to your trough or tank, to mount and protect your Rojo or Topaz Valve, without the use of tools.

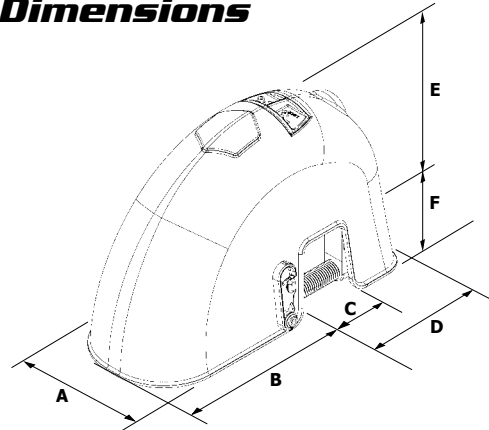


CODE: PMV

Features

- Quickly mounts valve on tank. No tools required.
- Great protection from all animals including horses, cattle and deer.
- Fits most styles of tanks and troughs (plastic, metal, concrete).
- Robust tough and durable (UV protected).
- Mounts valve with 50mm air break to eliminate back syphoning
- Ideal for pasture or yard installations.

Dimensions



		(mm)	(Inch)
A	Overall Width	180	7 13/16
B	Inner Edge of Trough to Front of Cover	5	9 1/4
C	Max Trough Thickness	75	2 15/16
D	Inner Edge of Trough to Back of Cover	175	6 15/16
E	Top Edge of Trough to Top of Cover	170	6 3/4
F	Top Edge of Trough to Bottom of Cover	103	4 1/16

COMPATIBLE WITH:

TOPAZ Model: TPV20DLT TPV0075DLT
TPVC20DLT

ROJO Model: RJV20 RJV20HF
RJV0075 RJV0075HF

Installation

