

TOPAZ DIFFERENTIAL

PRODUCT INFO



Differential

Description

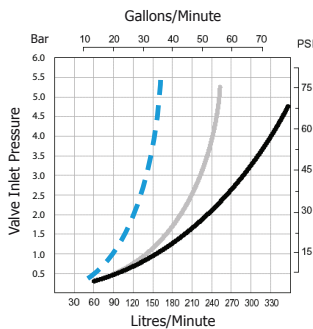
Topaz Differential valves are ideal for use in water tanks which are filled by a pressure system controlled water pump. The valve gives a level difference which is adjustable from 50mm up to 2.5m to minimise starting and stopping of the pumping system.

Applications

Maintaining Water Levels in:

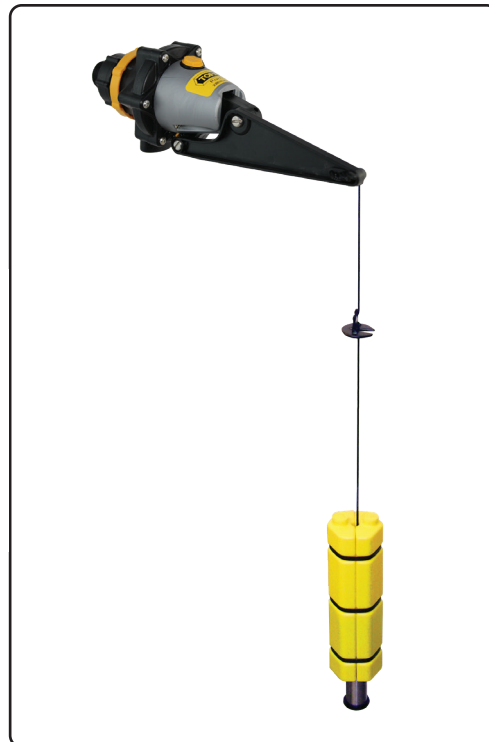
- Water Storage Tanks
- Water Cisterns
- Irrigation Applications

Flow Graph



Key

- 15mm (1/2")
- 20mm (3/4")
- 25mm & 32mm (1" & 1 1/4")



Principle of Operation

- The valve mounts at the top of the tank. It fits easily through a thin walled tank or screws into a threaded tank inlet.
- As the tank empties the weighted float travels down the cord until it hits the bottom stop. The valve then opens immediately to give a full flow.
- The valve now runs constantly and the weighted float rises until it hits the upper float stop. This lifts the arm and the valve shuts down.
- Observe the pressure that your pump runs at while the tank is filling. Set the pressure switch to turn the pump off at a pressure at least one bar above the running pressure.

Pressure Range

1 Bar – 10 Bar
(15psi-150 psi)

200 L / MIN

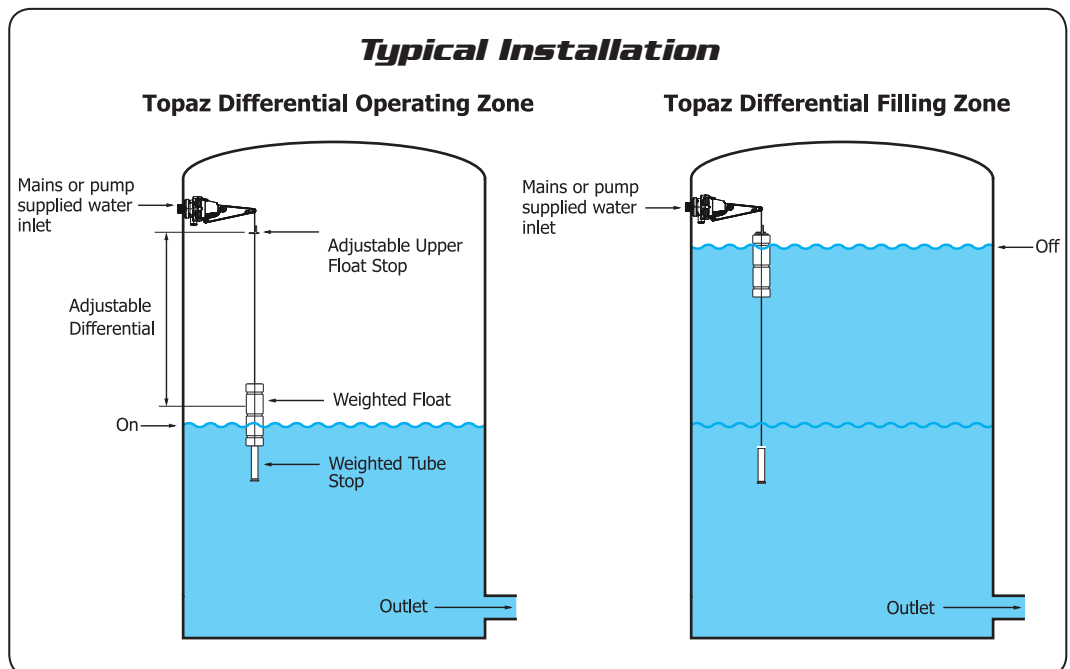
Features

- High flow
- Start and stop levels can be easily adjusted to give water level differentials from 50mm to 2.5 m
- Keeps pump operation to a minimum.
- Detach™ Valve Seal Access System for quick access to valve seal (Patented)
- Ideal for all makes and models of tanks.

Available Inlet Sizes

- 15mm (1/2")
- 20mm (3/4")
- 25mm (1")
- 32mm (1 1/4")

All supplied in Detach long tail thread with back nut.



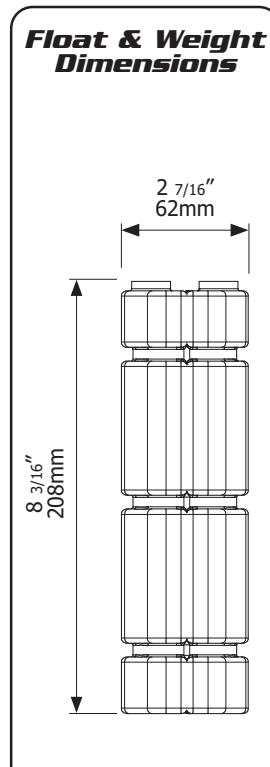
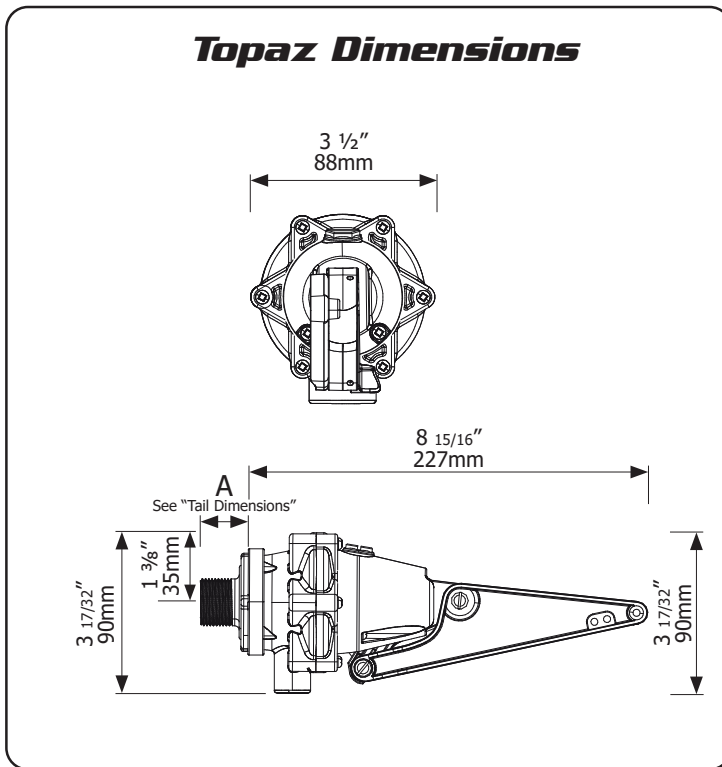
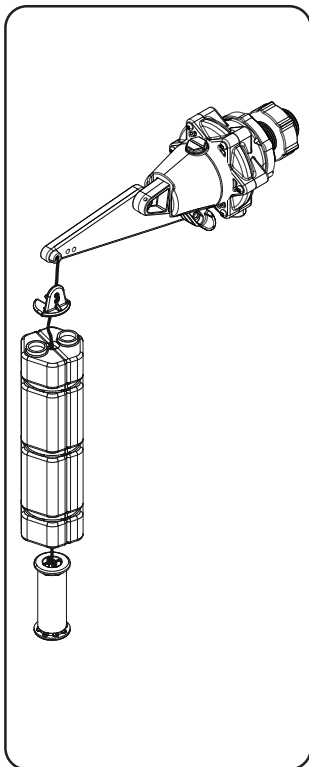
TOPAZ DIFFERENTIAL

DIMENSIONS & MATERIALS



Differential

200 L / MIN



Tail Dimensions

Dimension A	mm	inches
15mm (1/2") Long Tail	100	3 15/16
20mm (3/4") Long Tail	46	1 13/16
25mm (1") Long Tail	62	2 7/16
32mm (1 1/4") Long Tail	67	2 21/32

Part	Material	Part	Material
Valve Body	Glass Filled Nylon	O'Rings	Nitrile
Yellow & White Internal Parts	Acetal	Float	HDPE
Filter	PP/Nylon	Float Cord	Polyester
Diaphragm	EPDM	Actuator / Arms & Caps	ABS
Seal	TPU		
Springs, Bolts, Nuts, Pin, Screws	304 Stainless Steel		

Maximum Operating Temperature

60°C, 140°F

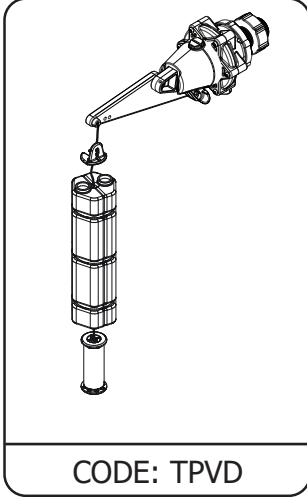
NB: High Temperature models on request.

TOPAZ DIFFERENTIAL

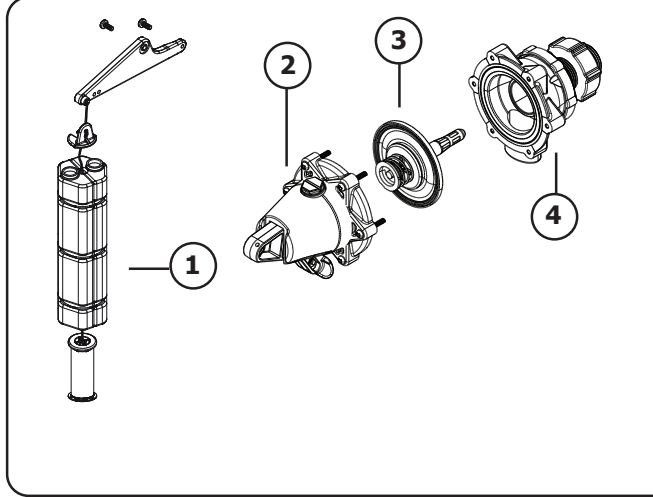
PARTS IDENTIFICATION SHEET



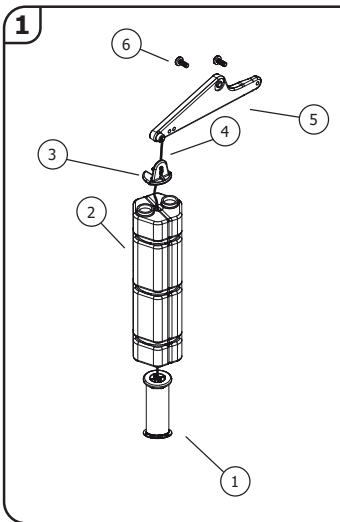
Differential



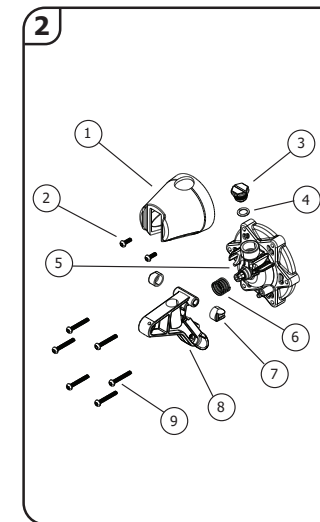
CODE: TPVD



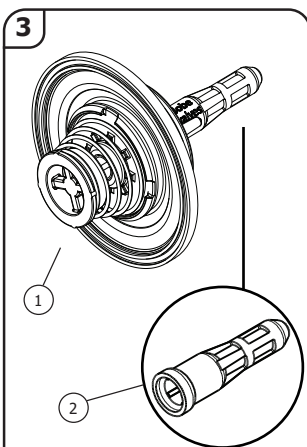
CODE	DESCRIPTION
1	TPPD1 Float, Arm & Weight Assembly
2	TPPD2 Cap & Actuator Assembly
3	DMP200 Diaphragm Assembly
4	Detach Base Assembly



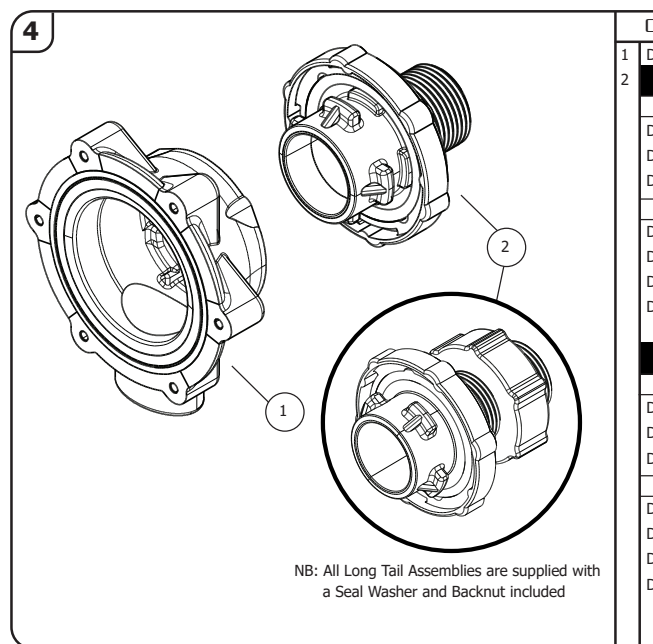
CODE	DESCRIPTION
1	TPPD1010 Weighted Tube Stop
2	TPPD1040 Weighted Float
3	TPPD1030 Upper Float Stop
4	TPPD1020 Cord
5	TPPD1050 Arm Extension
6	TPPD1040 M5 x 12 Bolt



CODE	DESCRIPTION
1	TPPD2011 Actuator Cap
2	TPPD2020 6g x 10 S/S Screw
3	TPPD2030 Frost Pro Plug
4	TPPD2040 Frost Pro O'ring
5	TPPD2050 Valve Cap Assembly
6	TPPD2061 Damping Spring
7	TPPD2080 Bearings (set of two)
8	TPPD2090 Actuator Arm
9	TPPD2100 6g x 25 S/S Screw



CODE	DESCRIPTION
1	DMP200 Diaphragm Assembly
2	TPP3010 Pilot Flow Filter (Fine)
	TPP3011 Pilot Flow Filter (Coarse)



CODE	DESCRIPTION
1	DTP1 Detach Base
2	BSP Tails
	Short Tail Assembly (BSP)
DTP020	Detach Tail 20mm(3/4") Short
DTP025	Detach Tail 25mm(1") Short
DTP032	Detach Tail 32mm(1 1/4") Short
	Long Tail Assembly (BSP)
DTP015L	Detach Tail 15mm (1/2") Long
DTP020L	Detach Tail 20mm (3/4") Long
DTP025L	Detach Tail 25mm (1" bsp) Long
DTP032L	Detach Tail 32mm (1 1/4" bsp) Long
	NPT Tails
	Short Tail Assembly (NPT)
DTP0075	Detach Tail 3/4" npt
DTP0100	Detach Tail 1" npt
DTP0125	Detach Tail 1 1/4" npt
	Long Tail Assembly (NPT)
DTP0050L	Detach Tail 1/2" npt Long
DTP0075L	Detach Tail 3/4" npt Long
DTP0100L	Detach Tail 1" npt Long
DTP0125L	Detach Tail 1 1/4" npt Long

200 L / MIN