

VORTEX BOTTOM FILL

PRODUCT INFO



Description

Vortex Bottom Fill valves are float operated valves for use in automatic filling of water troughs.

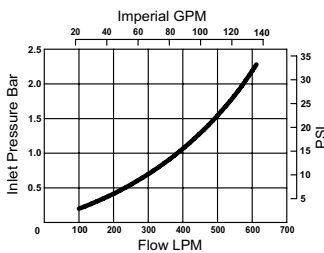
The valve is configured for **underwater mounting only**. The float is connected to the valve with a nylon cord, this operates a pilot valve, when the water level drops, the pilot valve is opened and the main diaphragm valve is activated. Vortex is a good choice where its **high flow**, compact, robust, non corrosive construction is beneficial.

Applications

Maintaining water levels in:

- Animal drinking troughs
- Water storage tanks

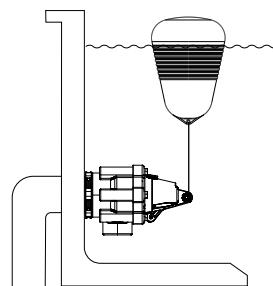
Flow Graph (All sizes)



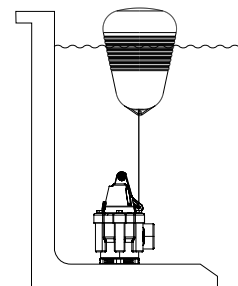
Features

- High flow
- Compact robust construction
- Mounts horizontally or vertically
- Made from corrosion resistant materials
- Valve unscrews from tail for easy Valve seal access
- Shuts down slowly to minimise water hammer
- 20 - 60mm (¾" - 2 ½") water level differential (increases as water inlet pressure increases)
- Pressure rating 0.3 - 7 Bar (5 - 100 PSI)
- Float position easily adjustable with no tools
- Valve has switch to lock it in off position
- Has port to connect Frostpro anti freeze device

Mounting Positions



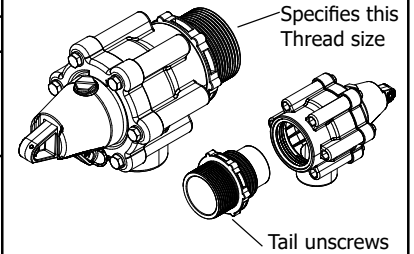
SIDE



BOTTOM ENTRY

Options

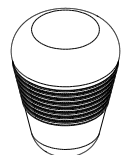
Inlet Size			
BSP	1 ¼" 32mm	1 ½" 40mm	2" 50mm
NPT	1 ¼"	1 ½"	2"



Floats: Tapered float supplied standard.

Note: Not Suitable for Top mounting.
Refer to VXV for Vortex above water mounting.

Standard tapered Float.



VORTEX BOTTOM FILL VALVE SPECIFICATION

PRODUCT	CODE	INLET SIZE	CODE
Vortex Float Bottom Fill Valve	VXVB	1 ¼" bsp	32
		1 ½" bsp	40
		2" bsp	50
		1 ¼" NPT	0125
		1 ½" NPT	0150
		2" NPT	0200

eg A Vortex Bottom Fill Valve with 2" BSP thread has following spec numbers VXVB50

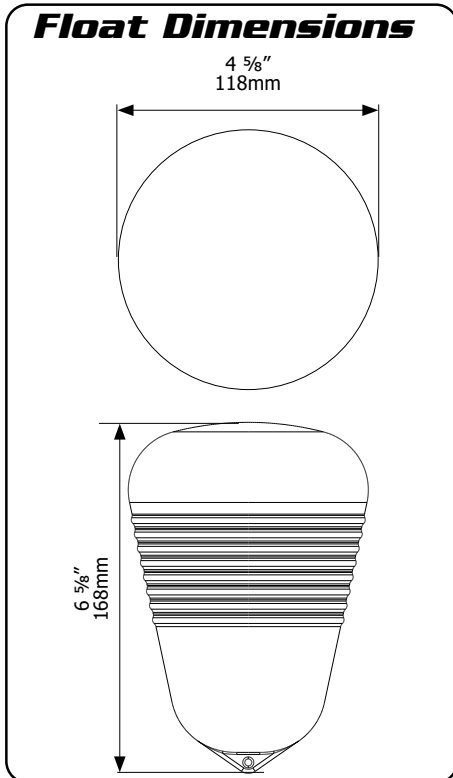
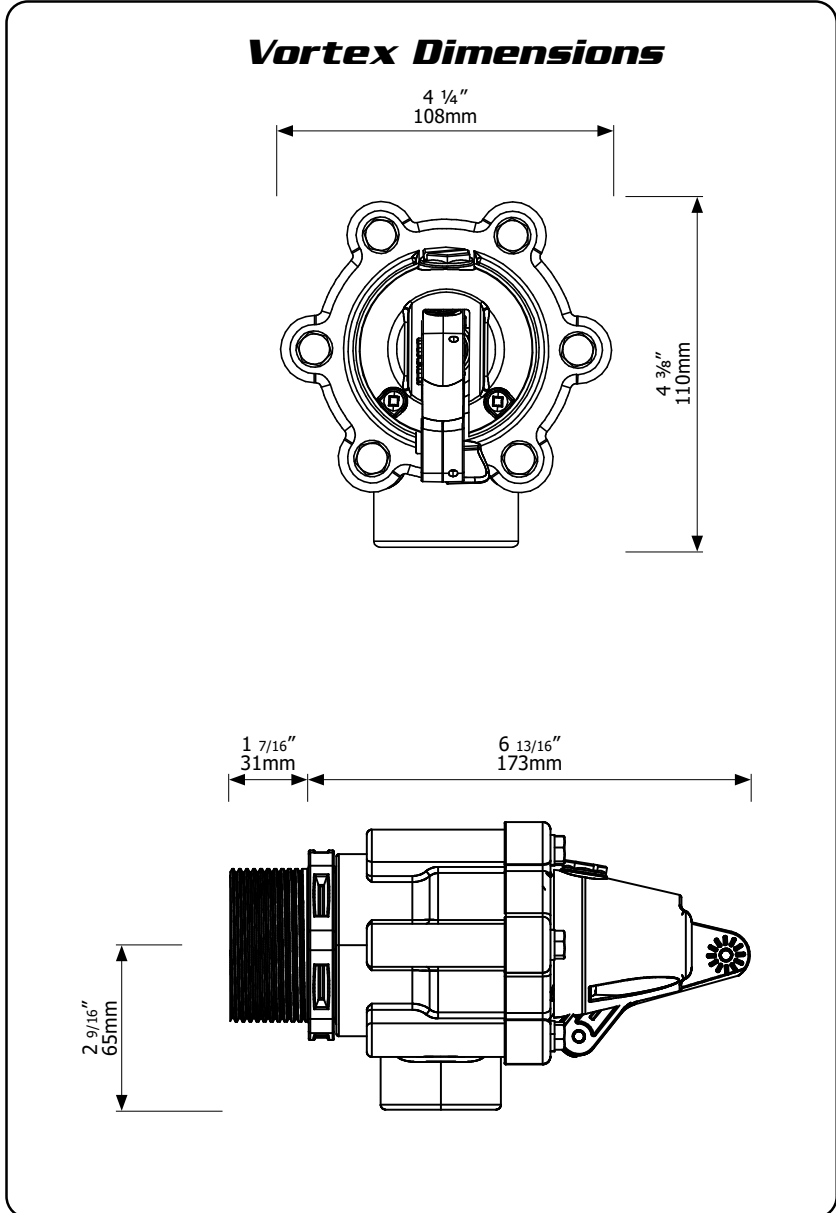
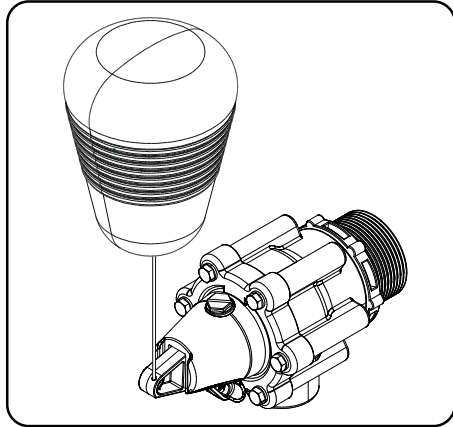
Note: Before using check that under water mounting is allowed by local regulations.

Note: Product may differ slightly from these specs due to ongoing product development.

600 L / MIN

VORTEX BOTTOM FILL

DIMENSIONS & MATERIALS



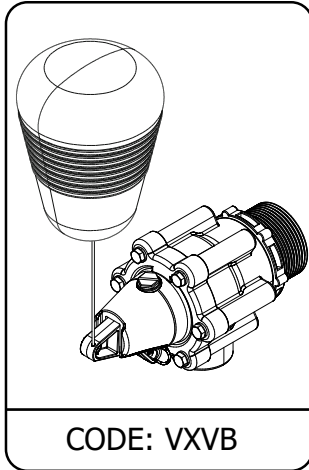
600 L / MIN

Part	Material	Part	Material
Valve Body	GF Nylon	Seal	TPU
White Internal, External	Acetal	Springs, Bolts, Nuts, Pin, Screws	304 Stainless Steel
Arm Assembly	ABS	O'Rings	Nitrile
Diaphragm	EPDM	Float	HOPE
Filter	PP/Nylon		

Maximum Operating Temperature **60°C, 140°F**

VORTEX BOTTOM FILL

PARTS IDENTIFICATION SHEET



CODE	DESCRIPTION
1	VXPB1 Float Assembly
2	VXP2 Cap & Actuator Assembly
3	VXP3 Diaphragm Assembly
4	Base Assembly

CODE	DESCRIPTION
1	VXPB1010 Float
2	VXPB1020 Float Cord

CODE	DESCRIPTION
1	VXP2010 Actuator Cap
2	VXP2020 6g x 10 S/S Screw
3	VXP2030 Frost Pro Plug
4	VXP2040 Frost Pro O'ring
5	VXP2050 Valve Cap Assembly
6	VXP2060 Damping Spring
7	VXP2070 Actuator Spring
8	VXP2080 Bearings (set of two)
9	VXP2090 Actuator Arm
10	VXP2100 Bolt M6 x 65
11	VXP2110 Washer M6 x 12.5

CODE	DESCRIPTION
1	VXP3 Diaphragm Assembly
2	TPP3010 Pilot Flow Filter (Fine)
	TPP3011 Pilot Flow Filter (Coarse)

CODE	DESCRIPTION
1	VXP4010 Vortex Retainer
2	VXP4020 Vortex Base
3	VXP4030 Vortex O'ring
4	VXP4040 Vortex Tail 32mm
	VXP4045 Vortex Tail 40mm
	VXP4050 Vortex Tail 50mm
	VXP4055 Vortex Tail 1 1/4" npt
	VXP4060 Vortex Tail 1 1/2" npt
	VXP4065 Vortex Tail 2" npt

600 L / MIN